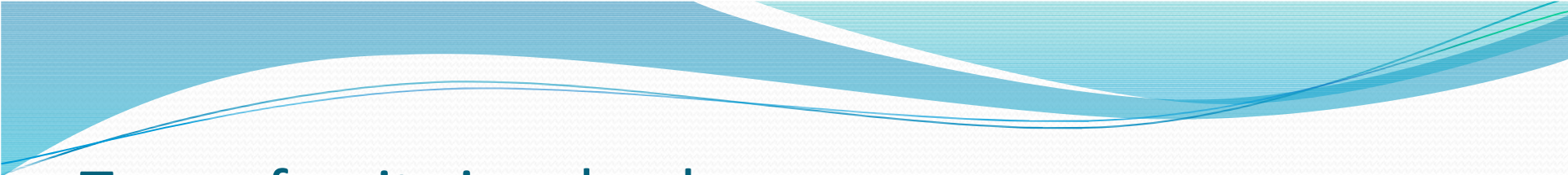


ModBus Card

Systems configuration



Type of units involved with electronic card MB on board

Fan coil

Fan coil ECM

Cassette

Cassette ECM

Fly

Fly ECM

Elegant ECM

Maestro QCV ON/OFF valves

Maestro QCV proportional valves

LEGENDA



Electronic card MB



IR remote control RT03



Receiver RS-RCS

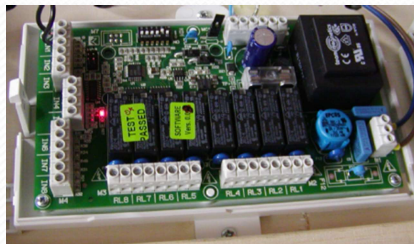


Controller T-MB



Control Panel PSM-DI

LEGENDA



Electronic Card SIOS : n. 8
input and n.8 relays output



Router -S

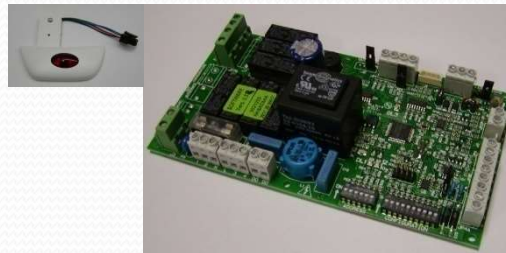


Supervision system Sabianet

1 Example

one controller one unit

Riceiver RCS



MB card



IR remote control RT03

2 Example

one controller one unit

3 cable



MB card

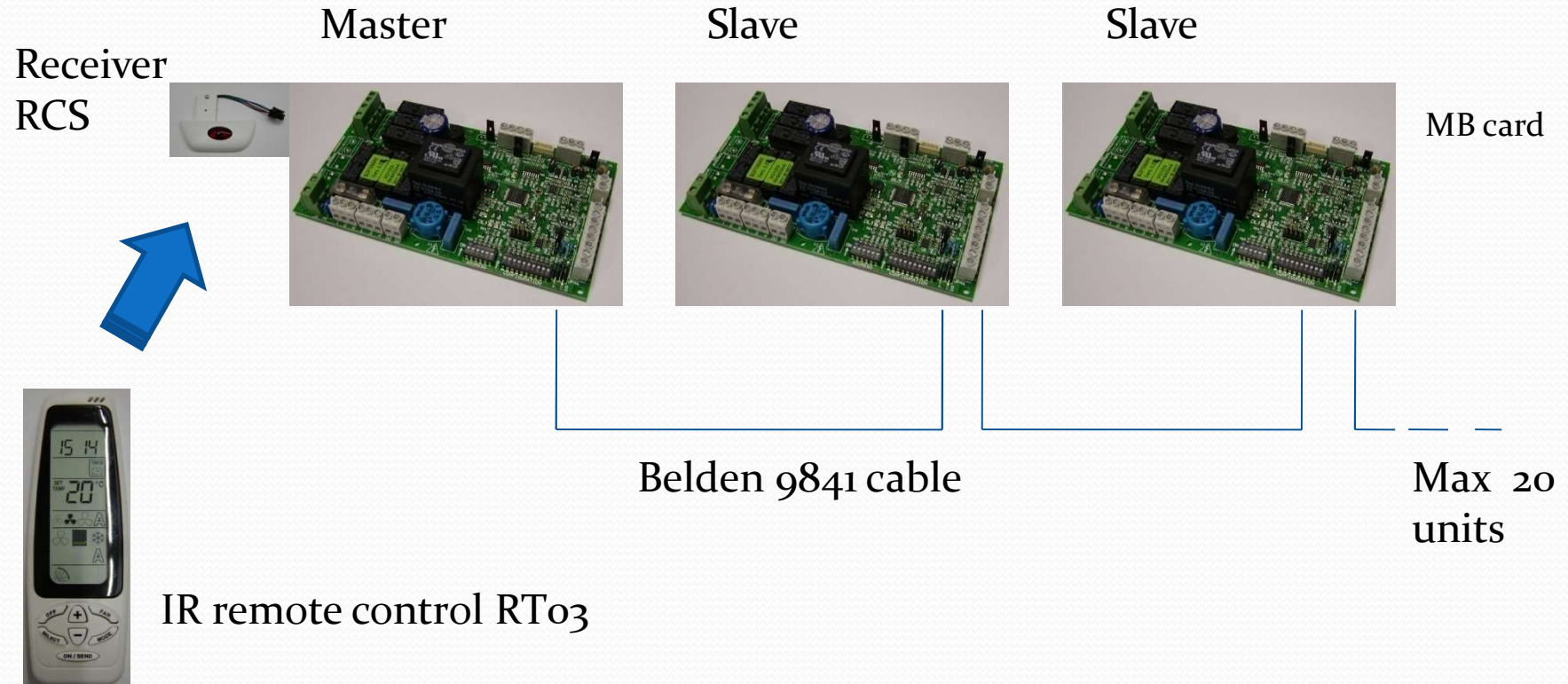


T-MB

Indicative electrical connection , refer to the user manual

3 Example

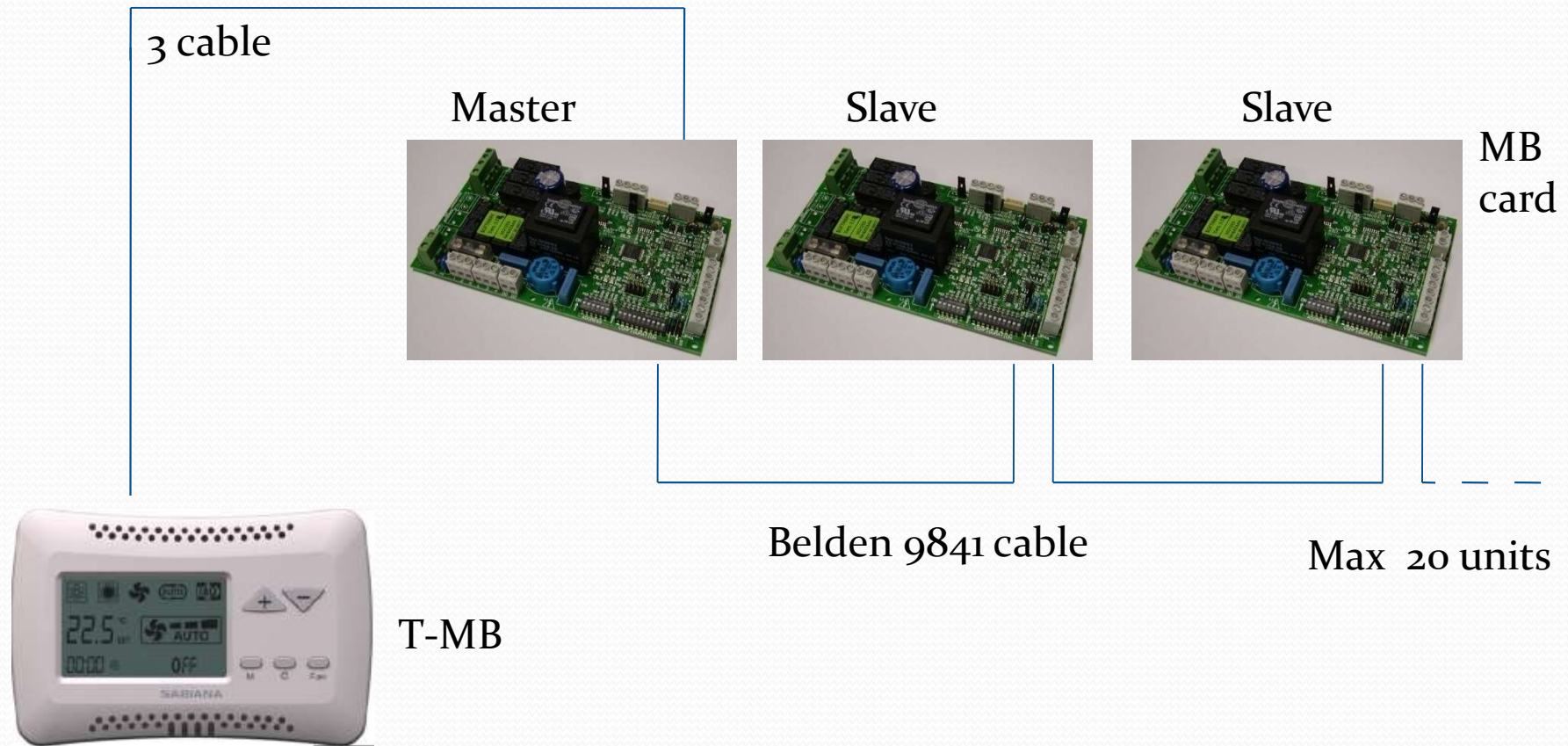
One controller unit more ,one IR remote control up to 20 units



Indicative electrical connection , refer to the user manual

4 Example

One controller unit more ,one T-MB controls up to 20 units



Indicative electrical connection , refer to the user manual

5 Example

PSM-DI , max 60 units with card SIOS

PSM-DI



MB card



SIOS



MB card



MB card



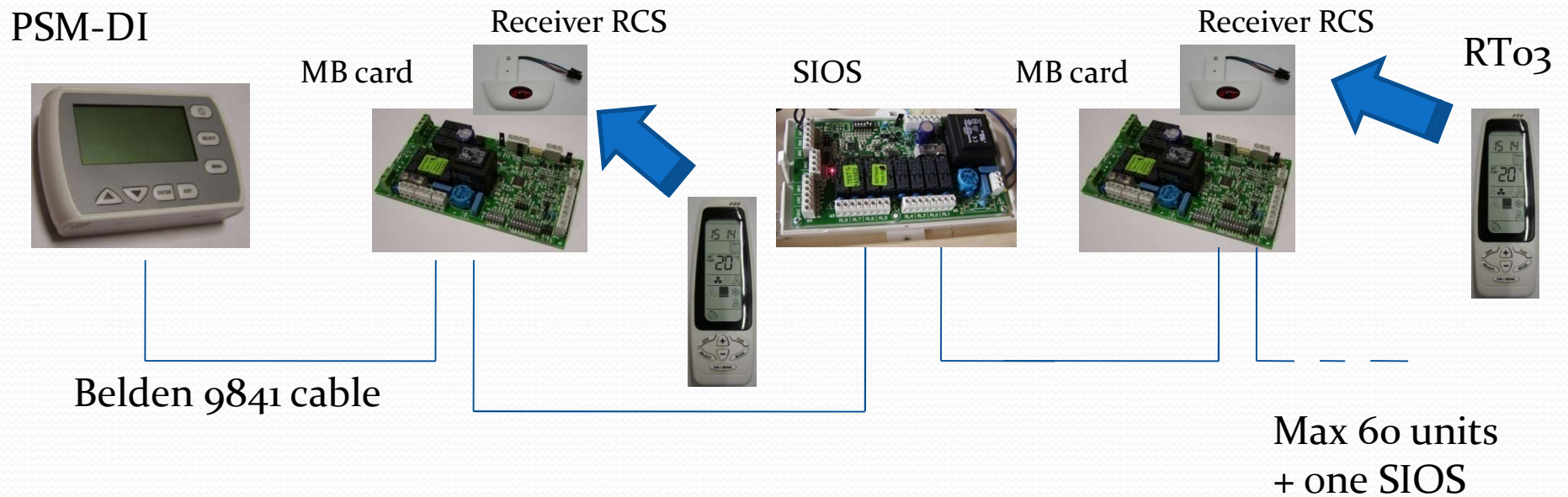
Belden 9841 cable

Max 60 units
+ one SIOS

Indicative electrical connection , refer to the user manual

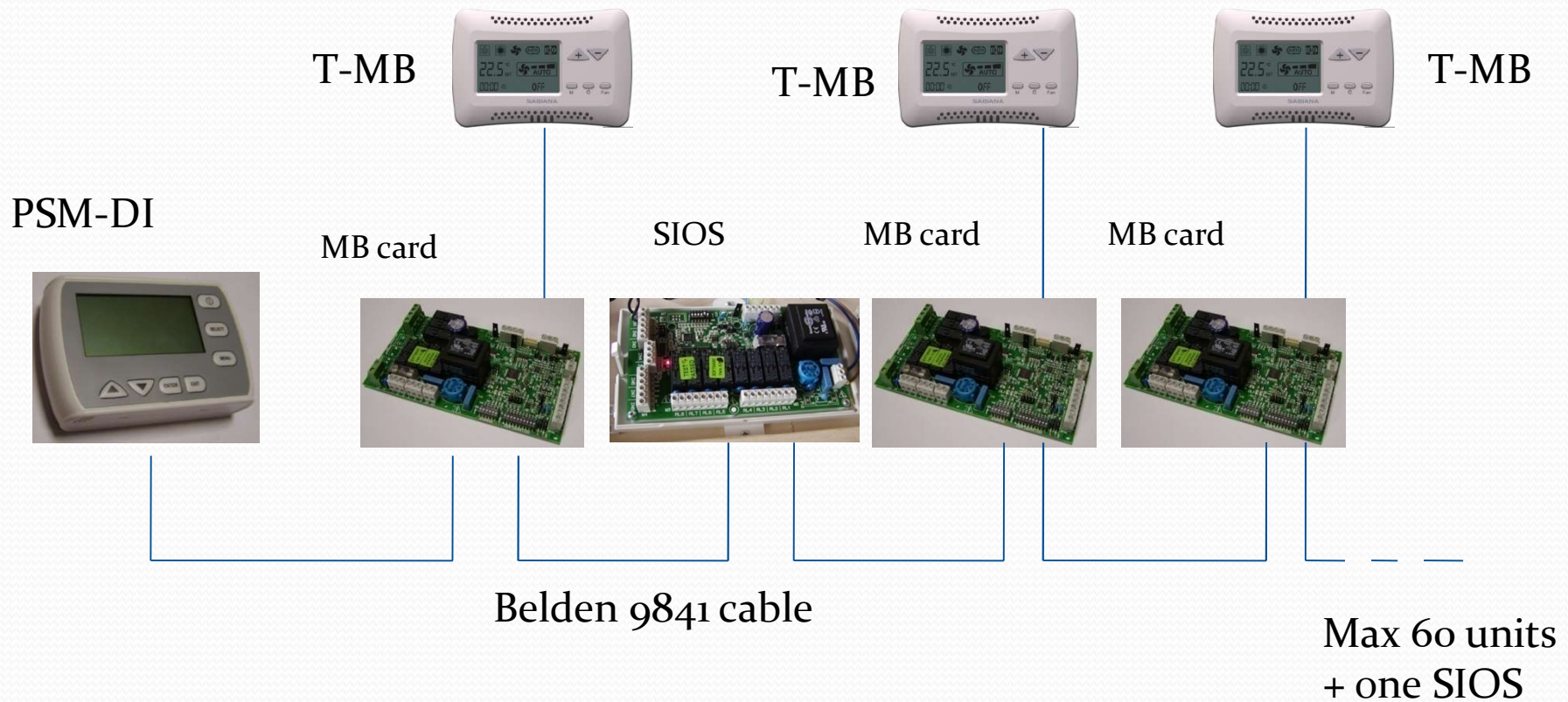
6 Example

PSM-DI , max 60 units with SIOS card
each unit has a receiver with IR Remote Control RT03



Indicative electrical connection , refer to the user manual

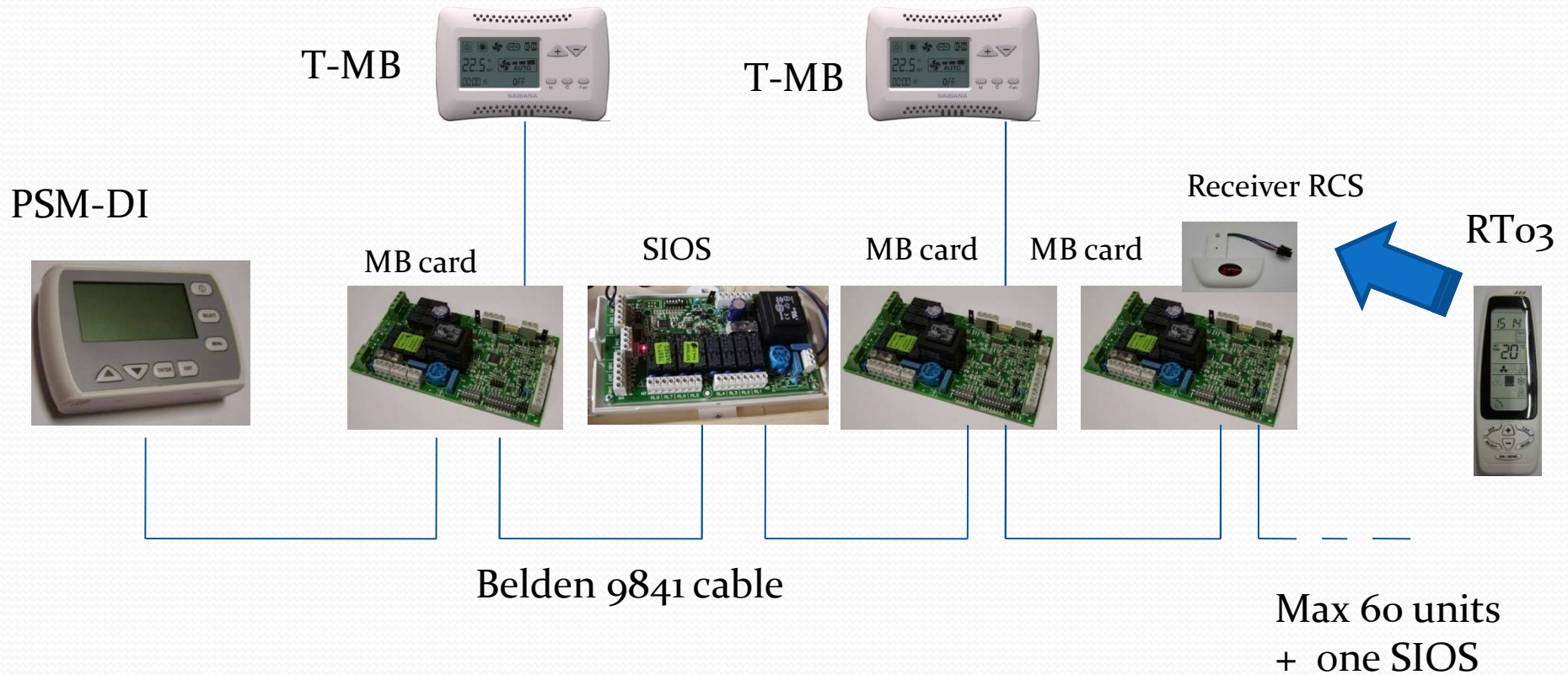
7 Example



Indicative electrical connection , refer to the user manual

8 Example

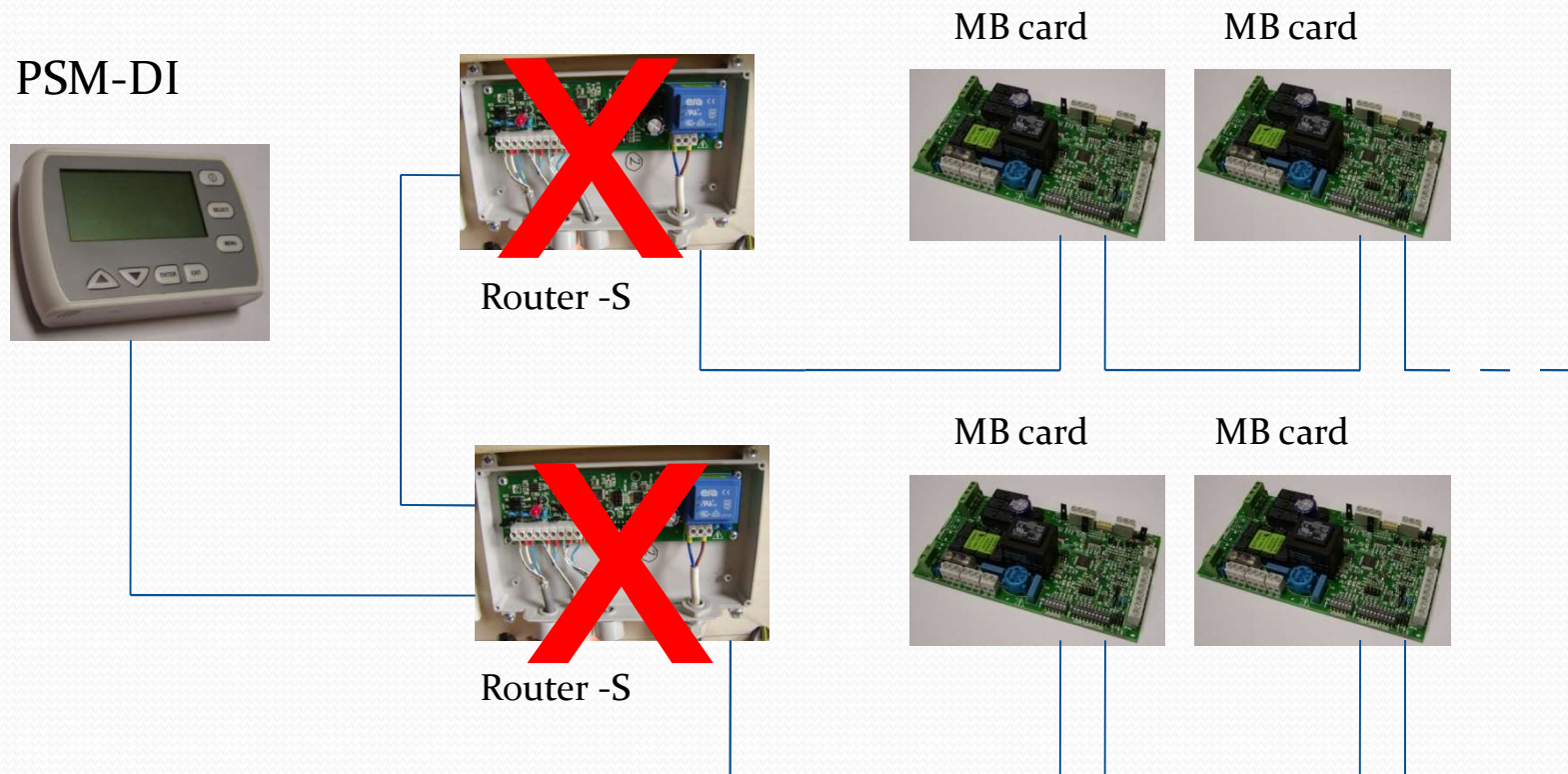
PSM-DI , max 60 units with one SIOS card
mixed system , each unit has a IR remote control or
T-MB



Indicative electrical connection , refer to the user manual

9 Example

PSM-DI It is not possible to use the router-s and to create subnetwork.
The control panel PSM-DI can not be used with the supervisor Sabianet.

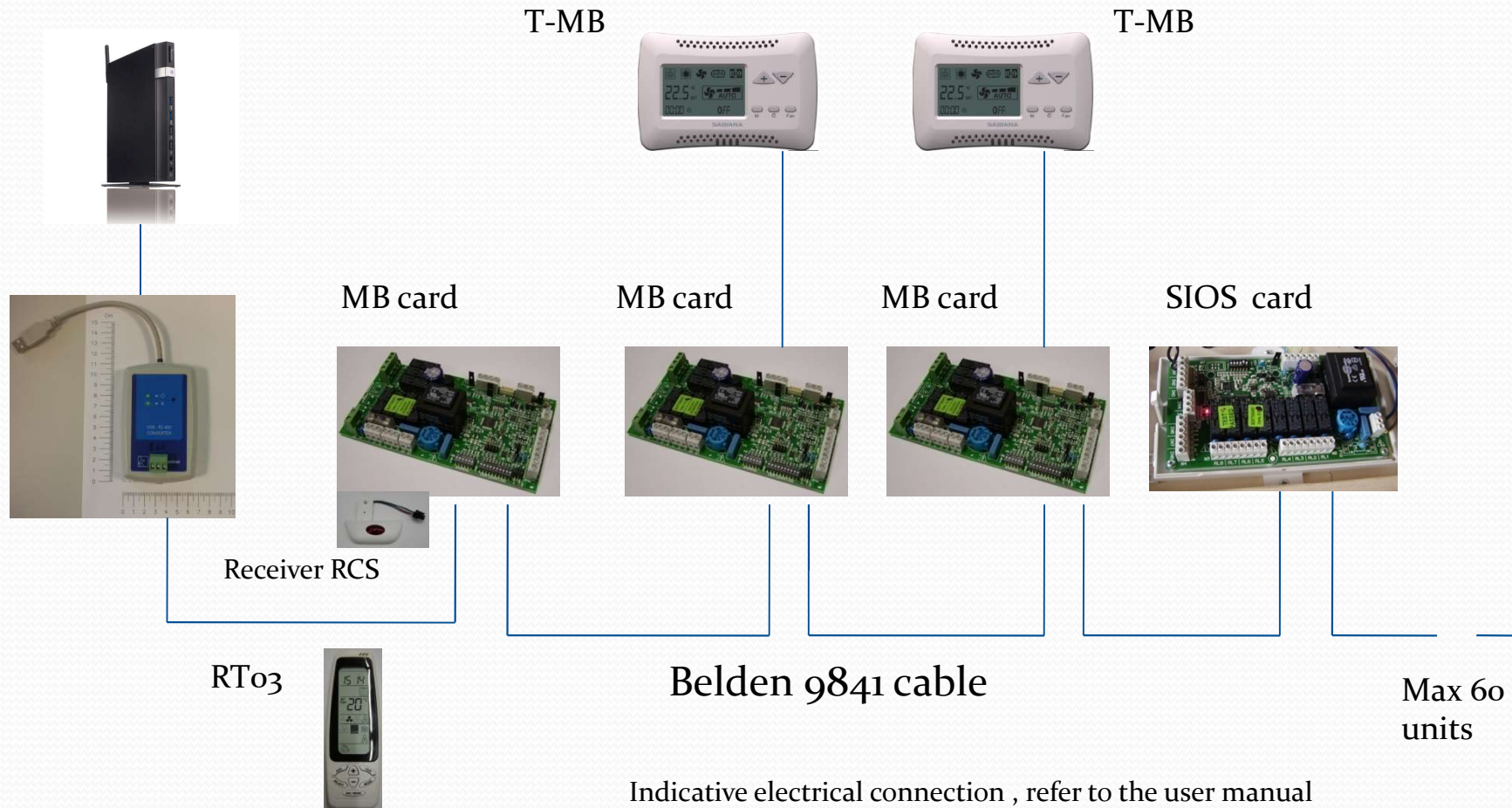


Indicative electrical connection , refer to the user manual

10 Example

Sabianet up to 60 units

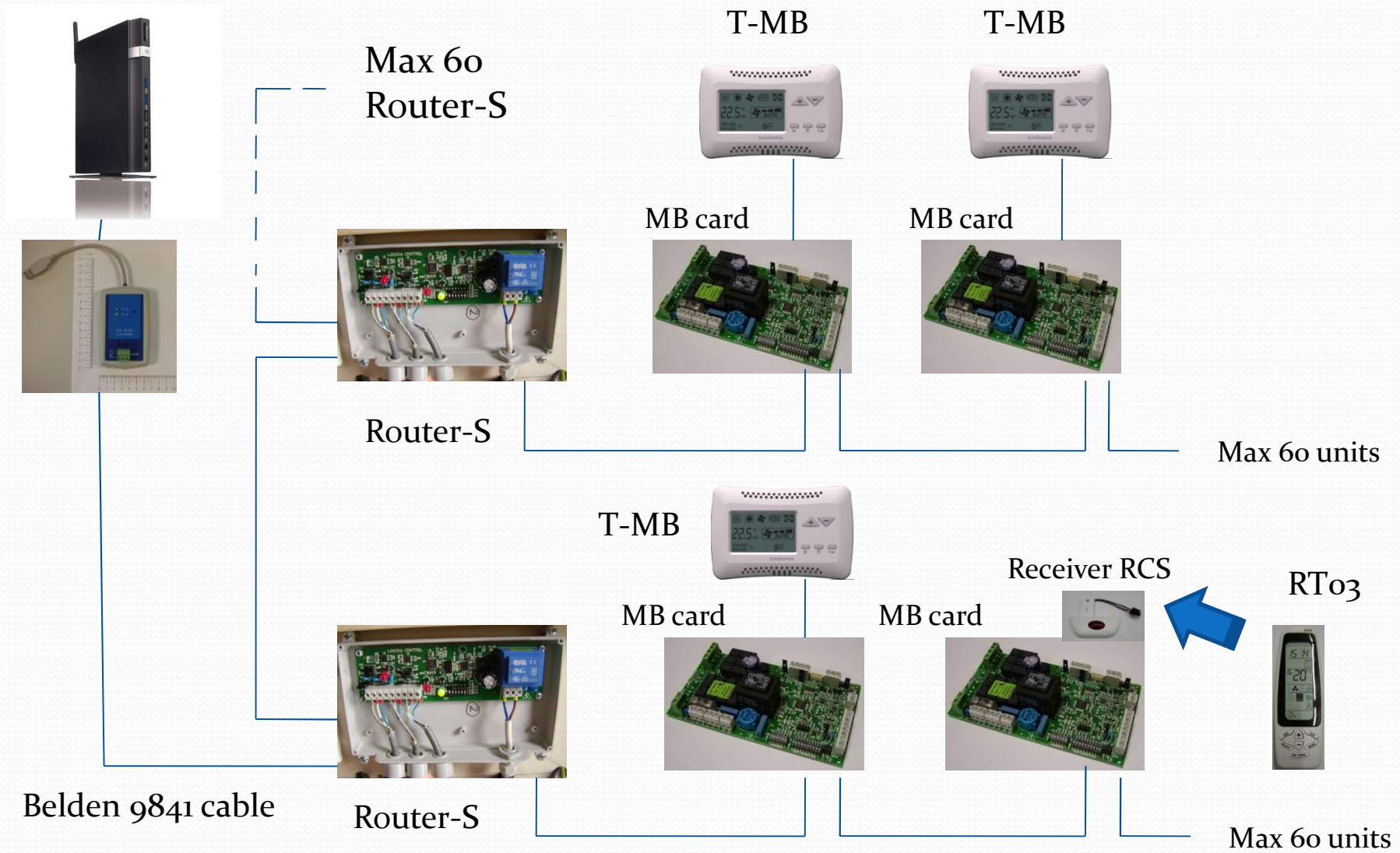
One control one unit



11 Example

Sabianet with more than 60 units

one control one unit

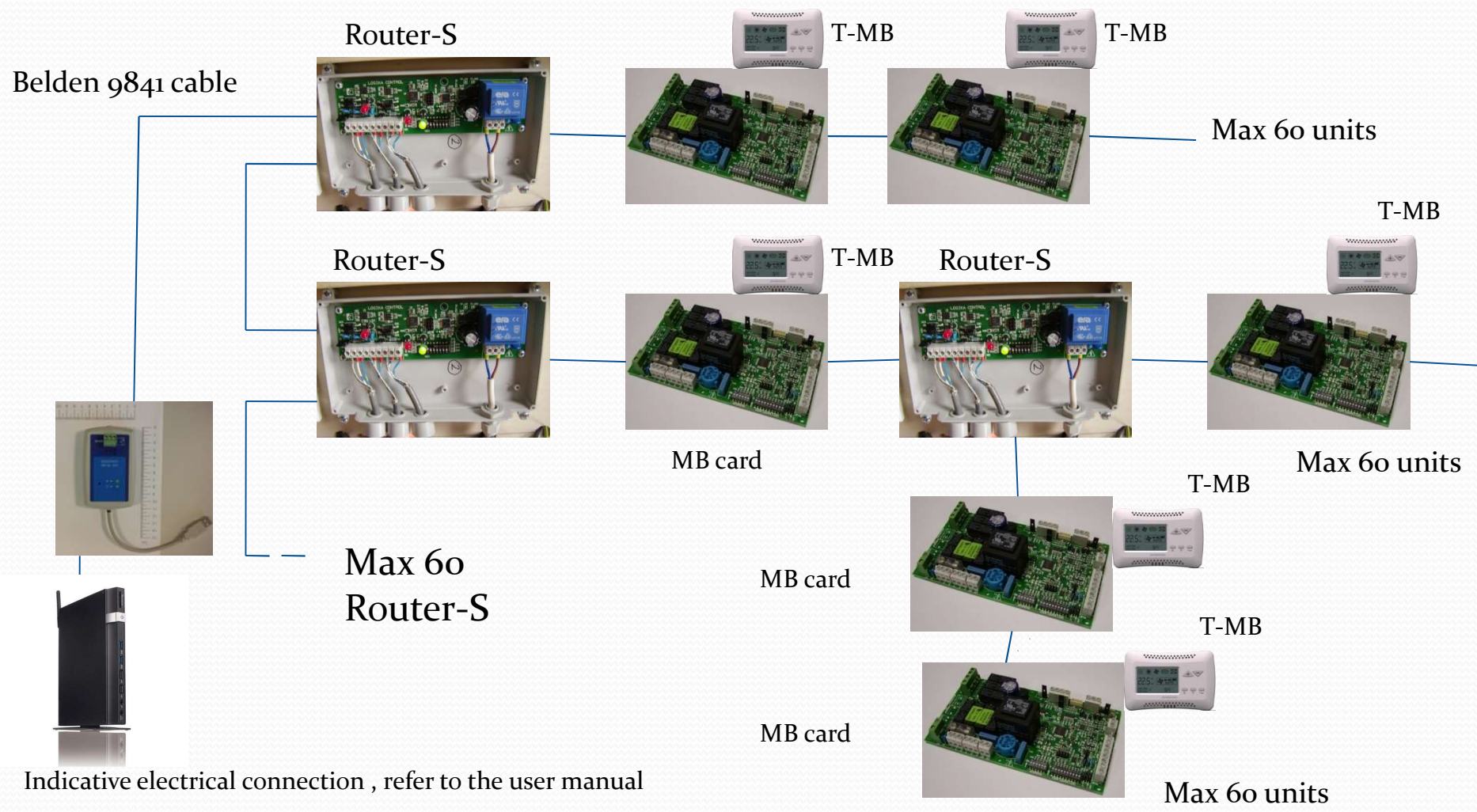


Indicative electrical connection , refer to the user manual

12 Example

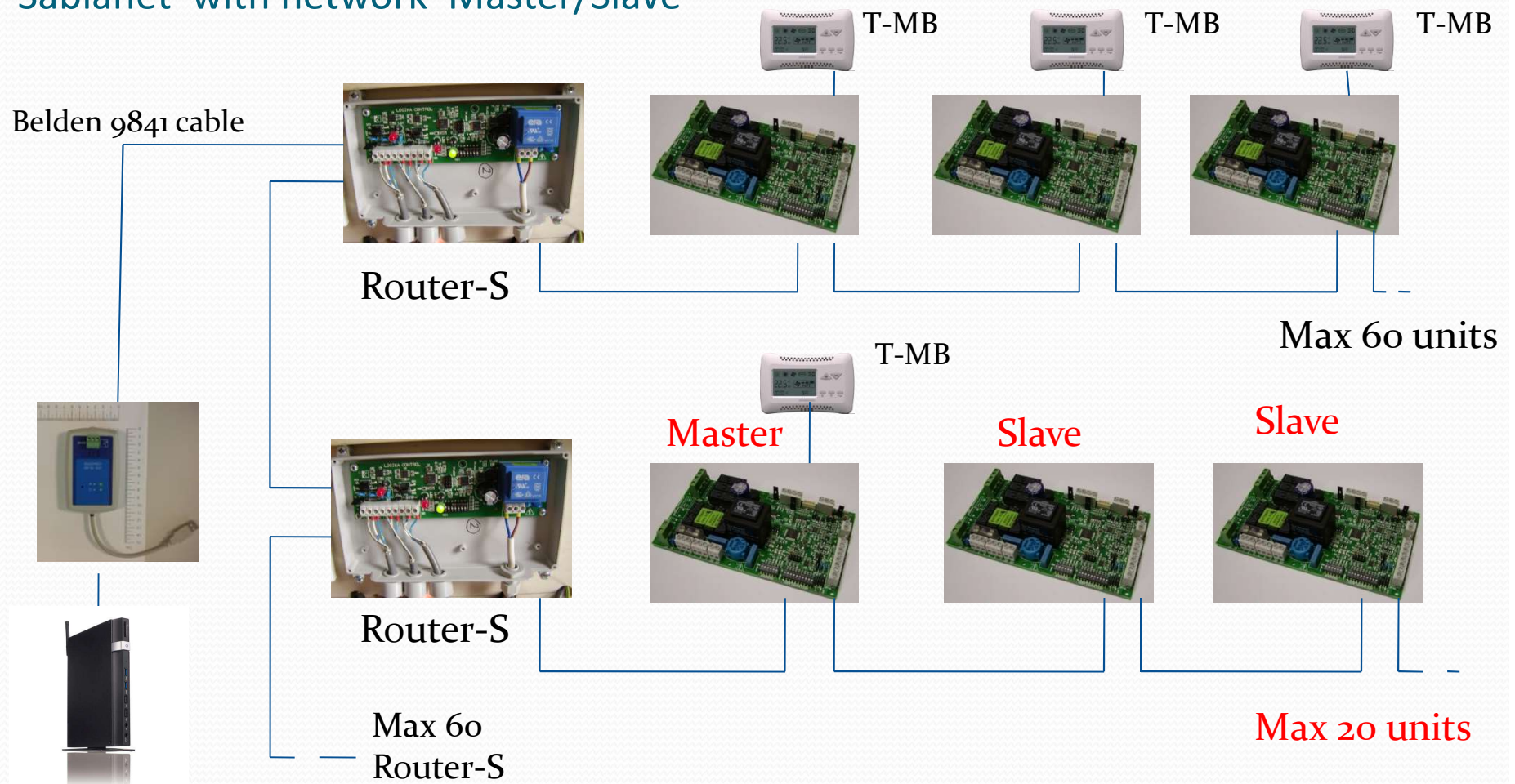
Sabianet with subnetwork

one control one unit



13 Example

Sabianet with network Master/Slave



Indicative electrical connection , refer to the user manual

Possibility of Master/slave only with router

Configuration

- Theoretically it is possible to have a system with 60 routers and 60 units for each router.
- So 3600 machines, video becomes difficult in practice to handle more than 250/300 units