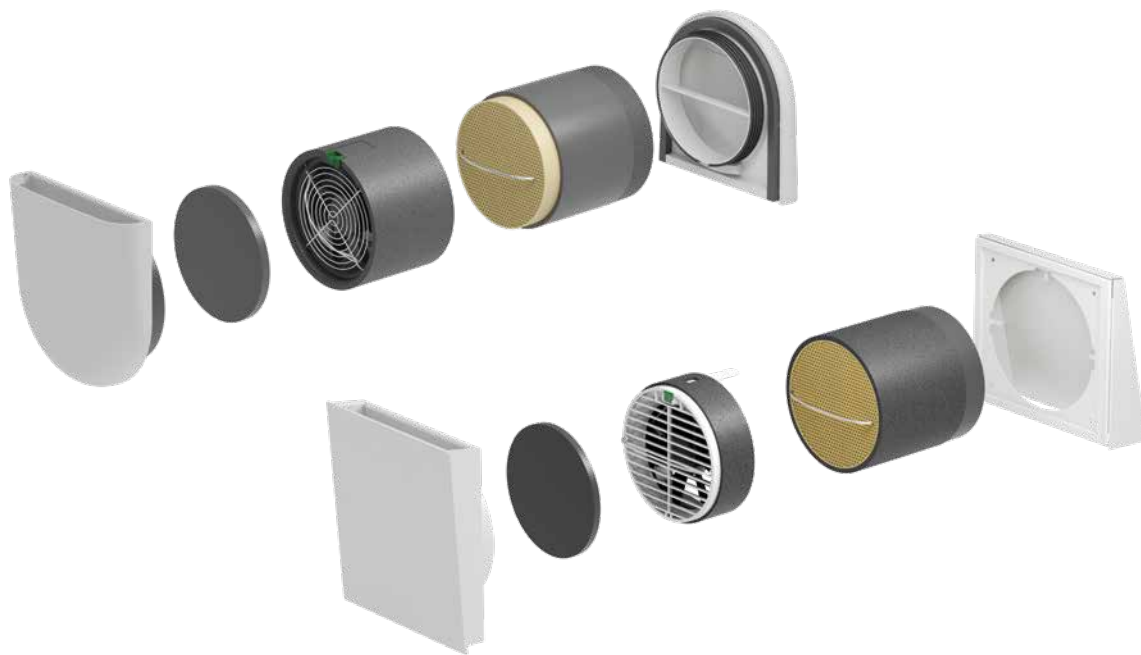


Energy Easy

Recovery Unit

Energy Easy

Recovery Unit



Energy Easy is the compact decentralised ventilation system with heat recovery.

The units are suitable for controlled ventilation of residential buildings, providing a valid alternative to conventional centralised ventilation systems and does not require air distribution ducts.

Energy Easy is easy to install and is suitable for installation not only in new buildings but also in the renovation of existing buildings. Energy Easy units should preferably be used in pairs in order to carry out simultaneous ventilation of the housing unit, this way one device operates to supply the air, while the second one extracts it.

The inversion of the operating direction takes place after 50-70 seconds simultaneously in both paired devices, depending on the ventilation flow rate. This ensures ventilation of the room and generates the compensation required in compliance with DIN standard 1946-6 of the air intake and extraction volumes.

Through the integrated heat recovery system, the heat energy is extracted from the outlet air and accumulated.

After reversing the direction of operation, the stored heat is returned to the fresh and filtered inlet air.

This way, **Energy Easy ensures heat recovery up to 91%.**

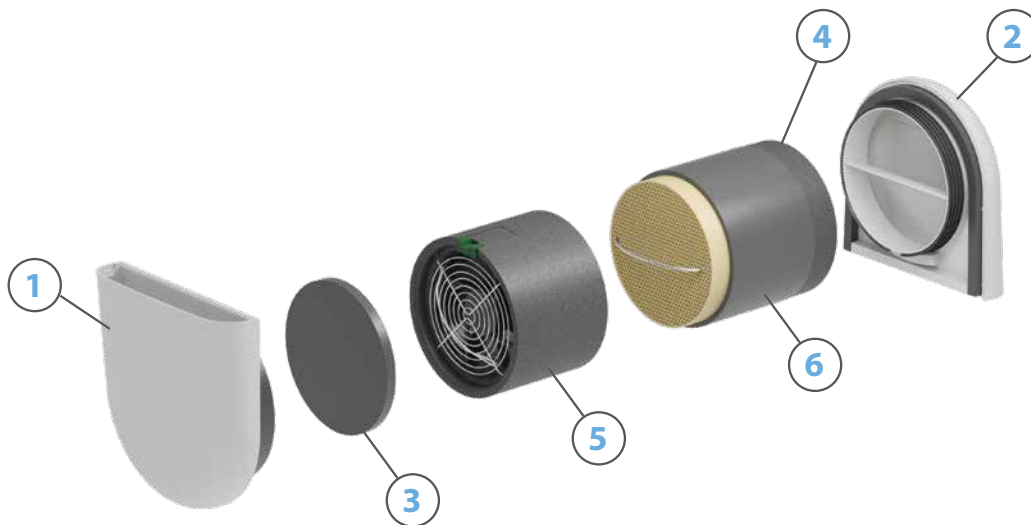
The Energy Easy range consists of two units: **Energy Easy** and **Energy Easy Pro**.

To each one of these, it is possible to combine 2 different types of controls, creating systems with more or less evolved control based on installation needs: manual control, control with hourly programming, centralized control with humidity sensor or humidity/temperature sensor or zone control with humidity/temperature sensor.

TECHNICAL FEATURES

Energy Easy units have a **modular structure** consisting of an internal (1) and an external (2) nozzle with optimised design to assure optimal air flow with **low noise impact**; an internal G3 dust filter (3) and an external insect filter (4), the ventilation unit (5) with axial fan with **high ventilation efficiency**, equal and constant in the two directions, with **low electrical absorption**, a heat recovery unit (6) made of ceramic material with beehive structure that assures minimum pressure drops when air flows through and heat recovery up to 90% (91% Energy Easy Pro).

Assembly must take place on an external perimeter wall with one of the installation kits available. The assembly pipe, in which the ventilation unit and heat recovery unit are fitted, is firmly glued to the wall. The components can be mounted without tools. Thanks to its modular structure, **very few maintenance and assistance** activities are required. Energy Easy therefore makes it possible to save not only on valuable energy resources, but also overall system costs.



Energy Easy

Speed		1	2	3	4
Maximum heat recovery efficiency	[%]	90			
Eco/ ventilation mode volume flow ⁽¹⁾	[m ³ /h]	16	22	30	43
Sound pressure level ⁽²⁾	[dBa]	14,3	21,4	31,8	36,7
Power input ⁽³⁾	[W]	0,9	1,4	2,4	2,8
SPI	[W/m ³ /h]	0,12			
Protection rating	-	IP22			
Operating temperatures range	[°C]	-20 ... 60			
Normalised acoustic insulation Dn, w	[dB]	39/43 (with optional insulating kit)			
Diameter of hole on the wall	[mm]	162			
Minimum thickness of wall	[mm]	315			
Weight	[g]	4400			

Energy Easy Pro

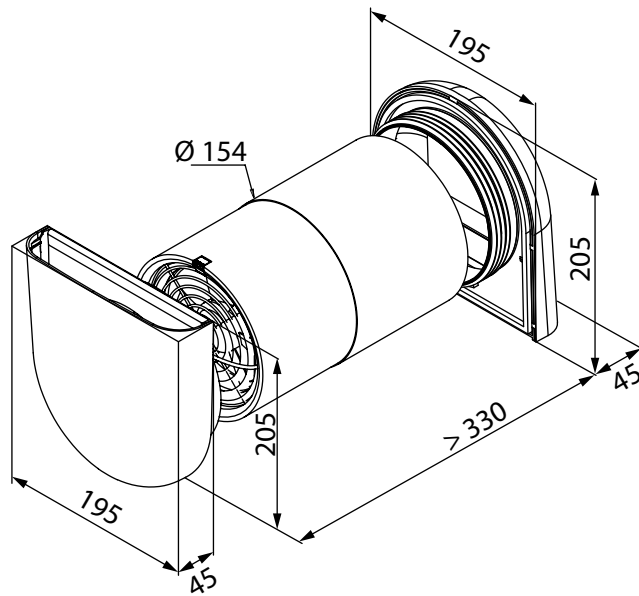
Speed		1	2	3	4
Maximum heat recovery efficiency	[%]	91			
Eco/ ventilation mode volume flow ⁽¹⁾	[m ³ /h]	18	28	38	46
Sound pressure level ⁽²⁾	[dBa]	11	21	30	33
Power input ⁽³⁾	[W]	0,7	1,2	2,4	3,3
SPI	[W/m ³ /h]	0,12			
Protection rating	-	IP42			
Operating temperatures range	[°C]	-20 ... 60			
Normalised acoustic insulation Dn, w	[dB]	39/43 (with optional insulating kit)			
Diameter of hole on the wall	[mm]	162			
Minimum thickness of wall	[mm]	255			
Weight	[g]	4600			

(1) to be used in pairs

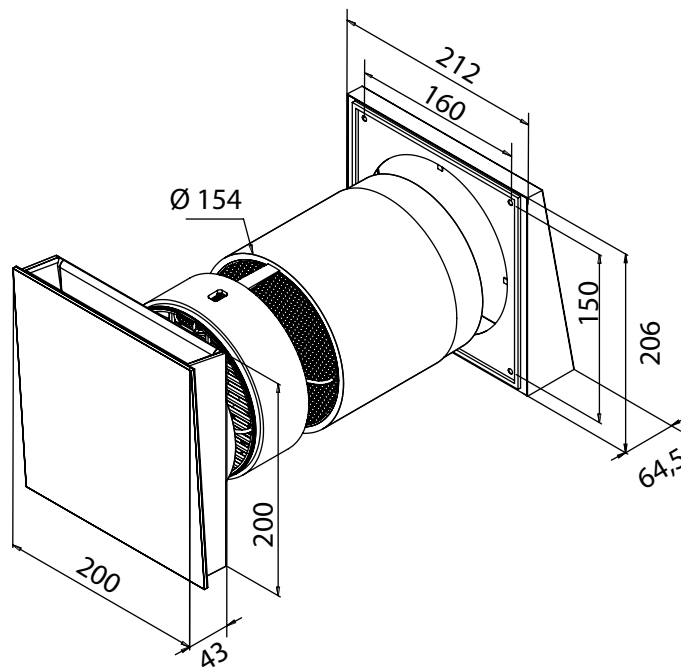
(2) rated up to a distance of 2 m within a range free from operating temperatures, air supply mode

(3) without power supply

Energy Easy



Energy Easy Pro





Energy Easy

Energy Easy units can be controlled either by the **knob control** or by the **PUSH control**.

Both controls with the included 12V power supply unit must be installed in a wall recess using the recess box available as accessory. The 12V power supply unit for electrical panel is available as optional feature.

The Energy Easy controls make it possible to connect up to 4 units with star connection.

Technical data sheet of the product according to (EU) regulation no. 1254/2014





				
		ENY EASY Knob control	ENY EASY PUSH control	
Specific energy consumption (SEC) Cold climate zone	[kWh/(m ² a)]	-79,91	-82,56	
Specific energy consumption (SEC) / Energy class Temperate climate zone	[kWh/(m ² a)]	-38,91 / A	-40,69 / A	
Specific energy consumption (SEC) Hot climate zone	[kWh/(m ² a)]	-15,42	-16,70	
Type	-	Residential ventilation unit (RVU) / Bidirectional ventilation unit (BVU)		
Heat recovery system	-	Regenerative		
Heat recovery efficiency	[%]	82,5		
Maximum air flow rate	[m ³ /h]	43,7		
Reference air flow rate	[m ³ /h]	30		
Sound power level	[dBa]	43,7		
Power input of two fans (without power supply unit)	[W]	5,6		
SPI (without power supply unit)	[Wh/m ³]	0,115		
Static head of reference	[Pa]	0		
CTRL (control factor)	-	1	0,85	
Type of control	-	Manual	Centralised	
Filter replacement indicator position	-	Light indicator on control		
Annual power consumption (AEC) per m ²	[kWh/a]	1,58	1,24	
Annual heating energy saving (AHS) per m ² (referred to a surface of 100 m ²)	Cold climate zone	[kWh/a]	83,87	85,67
	Temperate climate zone	[kWh/a]	42,87	43,79
	Hot climate zone	[kWh/a]	19,39	19,8

Energy Easy Pro

Energy Easy Pro units can be controlled either by the LED control or by the TOUCH control. Both controls require the 42V power supply unit supplied as accessory in the wall or electrical panel version. The controls must be installed in a wall recess using the recess box available as accessory.

Up to 6 units may be connected to each control with star or series connection. The system is controlled by a BUS system and the control may be located in any position within the cable network (maximum length 1000 m).

Technical data sheet of the product according to (EU) regulation no. 1254/2014

		 ENY EASY Pro Control LED	 ENY EASY Pro Control TOUCH	 ENY EASY Pro Control TOUCH with one sensor	 ENY EASY Pro Control TOUCH with several units and at least one sensor	
Specific energy consumption (SEC) Cold climate zone	[kWh/(m ² a)]	-79,19	-80,81	-82,59	-86,03	
Specific energy consumption (SEC) / Energy class Temperate climate zone	[kWh/(m ² a)]	-38,74 / A	-39,36 / A	-40,57 / A	-42,88 / A+	
Specific energy consumption (SEC) Hot climate zone	[kWh/(m ² a)]	- 15,16	-15,61	-16,50	-18,15	
Type	-	Residential ventilation unit (RVU) / Bidirectional ventilation unit (BVU)				
Heat recovery system	-	Regenerative				
Heat recovery efficiency	[%]	83				
Maximum air flow rate	[m ³ /h]	46				
Reference air flow rate	[m ³ /h]	32,2				
Sound power level	[dBa]	42				
Power input of two fans (without power supply unit)	[W]	3,8				
SPI (without power supply unit)	[Wh/m ³]	0,125				
Static head of reference	[Pa]	0				
CTRL (control factor)	-	1	0,95	0,85	0,65	
Type of control	-	Manual	Synchronised	Centralised	Based on local needs	
Filter replacement indicator position	-	Light indicator on control				
Annual power consumption (AEC) per m ²	[kWh/a]	1,72	1,59	1,35	0,9	
Annual heating energy saving (AHS) per m ² (referred to a surface of 100 m ²)	Cold climate zone	[kWh/a]	84,21	84,8	85,96	88,29
	Temperate climate zone	[kWh/a]	43,05	43,35	43,94	45,13
	Hot climate zone	[kWh/a]	19,47	19,6	19,87	20,41

Energy Easy and Energy Easy Pro Units installation is possible with the use of the following available installation kits.

Installation kit



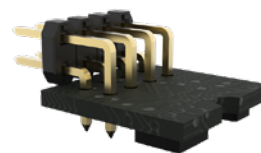
Installation kit for window



Pre-formed wall installation block



Humidity sensor fitted on the unit
(for Energy Easy Pro with TOUCH control only)



Additional silencer separator



APF
(4 piece set)



Wall recessed box (for thermostat)
(PUSH control excluded - Energy Easy)



Wall recessed box for plasterboard (for thermostat)
(PUSH control excluded - Energy Easy)



Wall recessed box
(for PUSH control)



LiYY 4 x 0,25 mm² - 100 m cable





A company of Arbonia Group
ARBONIA ▲

Follow us



Sabiana app



SABIANA SpA

Società a socio unico

Via Piave 53 - 20011 Corbetta (MI) Italia

T. +39 02 97203 1 r.a. • F. +39 02 9777282

info@sabiana.it

www.sabiana.it