

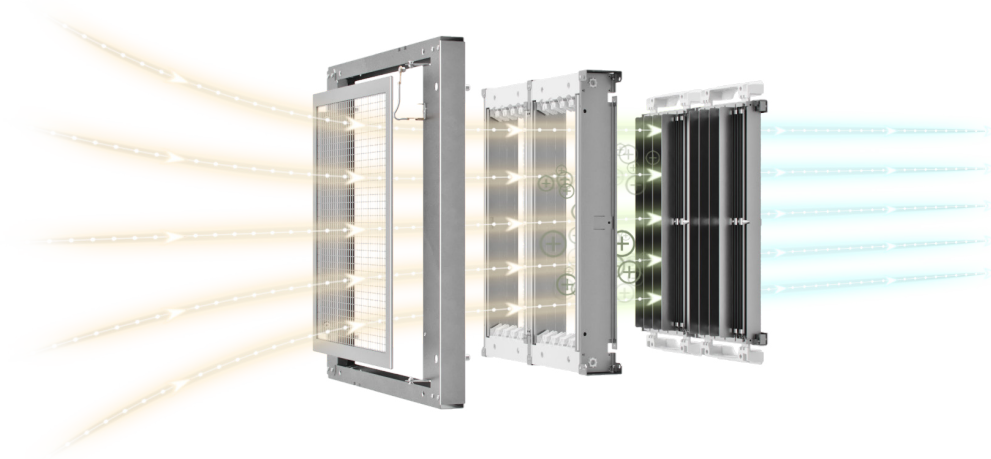


**SkySafe**  
air purifier

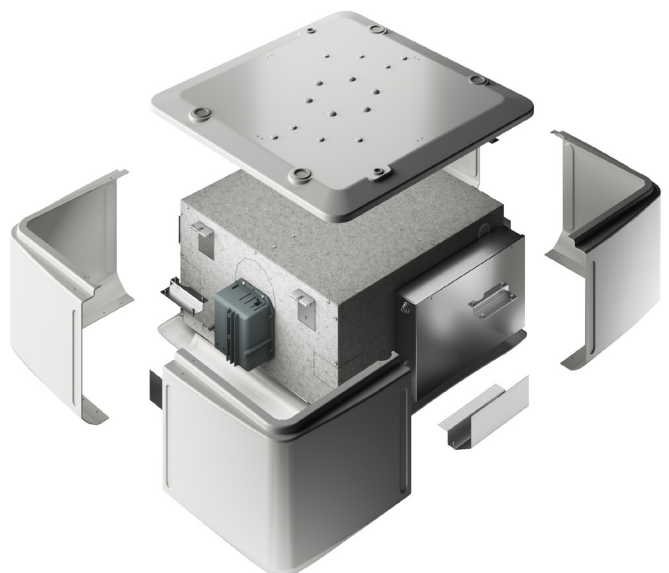


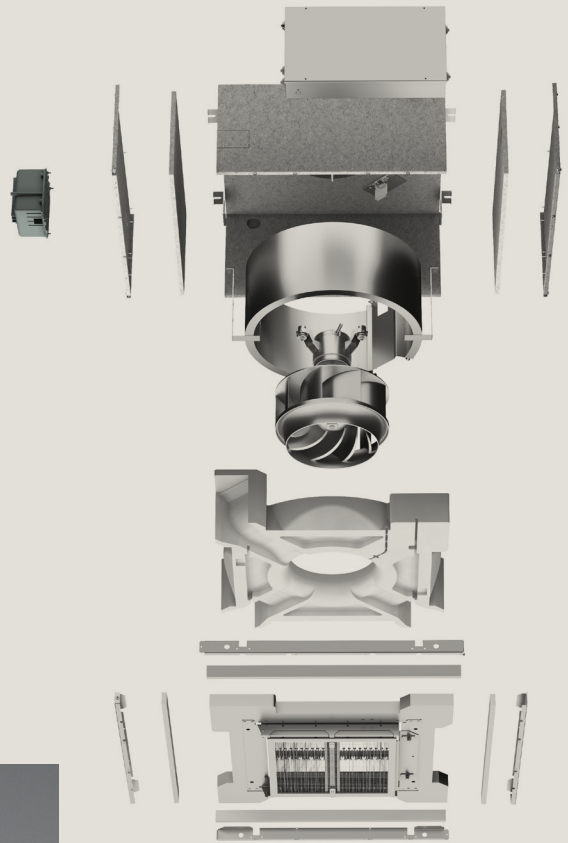
Following the pandemic at the beginning of 2020, the **quality of the air we breathe** in confined spaces has become the main focus of public interest. Air conditioning, ventilation and filtration systems are not always adequate to guarantee the correct healthiness of the air in civil and commercial environments, which is required by law (Italian Legislative Decree 81/08).

Sabiana has always been active in the field of air quality (IAQ Indoor Air Quality) and has been designing and producing very **high efficiency electronic filters** for almost 30 years, installed on its fan coils and many other products in the catalogue. In this context it has decided to create an air purifier equipped with a certified and patented Crystall 50 electronic filter.



The **SkySafe** air purifier is applicable in all contexts where it is not possible to intervene on the existing installation, to improve the air quality in the environment and reduce airborne pathogens.



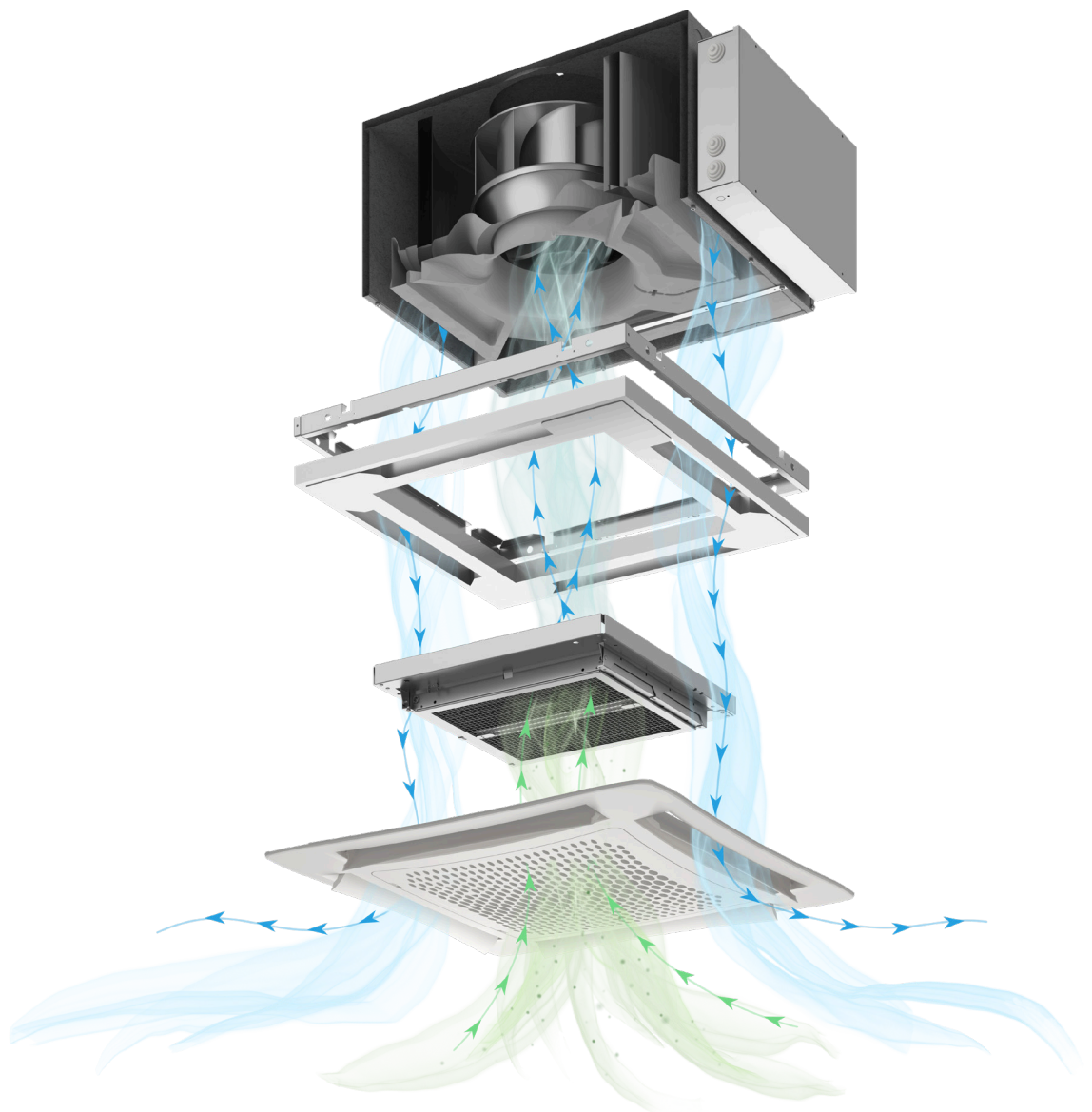


## How it works

Starting from the aesthetics of the famous SkyStar cassette fan coils, Sabiana designed the **SkySafe** air purifier with the **Crystal 50 electronic filter**.

The **SkySafe** air purifier has the task of retaining all the smallest airborne particles from particulate matter PM10, PM2.5 and PM1 and even bacteria, fungi, moulds and viruses up to a diameter of 0.1 micron.

The filtration efficiency on these microscopic particles is **certified by an independent laboratory according to the international standard UNI EN ISO 16890**.





## Applications

The Sabiana **SkySafe** air purifier can be installed on the ceiling either exposed, with the ABS covering cabinet (accessory supplied by Sabiana), or in false ceilings or, always on the ceiling, but laterally covered with plasterboard, wood or whatever finish is preferred by the customer or architect (free configuration solutions by customers, not supplied by Sabiana).

The standard colour proposed is white RAL 9003, other colours are available on request, with variable prices depending on the quantities; a metal grille is also available as an alternative.

**SkySafe** finds ideal application in offices, shops and commercial activities, often equipped with systems with fan coil units or direct expansion units (split or VRF), combined or not with Controlled Mechanical Ventilation systems for air exchange.

**SkySafe** complements the existing air conditioning system, which does not have good filtration capacity for smaller particulate matter, thus achieving **very high ambient air quality** and reducing the risk of spreading pathogenic substances to the bystanders.

**SkySafe** air purifiers can also be installed in schools or exhibition areas and in any case in all situations in which it is not possible to modify existing systems.

**SkySafe** only needs to be powered by electricity, it **absorbs very few watts** and the high efficiency Crystall 50 electronic filter installed inside it is infinitely washable and regenerable. Thanks to the Sabiana patent, the dust collection surface has no electrical components and can therefore be handled for cleaning by anyone without any risk of damage.

A simple wall control allows switching on and off, with the possibility of manually varying three operating speeds.

## Functional advantages



Air purifier with electronic filter with functional aesthetics: almost hidden but present



Plug&play: does not require a specific system



No specialised maintenance required



Healthier: retains microbes, dust, bacteria, moulds, viruses and particles down to 0.1 micron in diameter



Environmentally friendly: you don't have to dispose of it, you just have to wash it



Great energy saving thanks to the possibility of reducing the quantity of fresh air



Long life: infinitely regenerable

## Applications



Offices



Shops



Restaurants  
Coffee shops



Hairdressers  
Beauty centres



Doctor's offices



Kindergartens



Schools



# Performance, technical data and operating limits

## SkySafe cassette performance

Description	Measuring unit	Value		
		1	2	3
<b>Speed</b>				
Flow rate	m <sup>3</sup> /h	245	400	575
Flow rate	m <sup>3</sup> /s	0.068	0.111	0.160
Filter length	mm	356	356	356
Filter depth	mm	292	292	292
Filtering section	m <sup>2</sup>	0.104	0.104	0.104
Speed	m/s	0.65	1.07	1.54
<b>MPPS</b>	%	MPPS > 96.99%	82.25% < MPPS < 96.99%	69.71% < MPPS < 85.25%
Efficiency measured on PM1	%	Eff. M. PM1 > 98%	92% < Eff. M. PM1 < 98%	84% < Eff. M. PM1 < 92%
<b>ISO ePM1</b>	%	ISO ePM1 [95%]	ISO ePM1 [90%]	ISO ePM1 [80%]
Efficiency measured on PM2.5	%	Eff. M. PM2.5 > 98%	93% < Eff. M. PM2.5 < 98%	88% < Eff. M. PM2.5 < 93%
<b>ISO ePM2.5</b>	%	ISO ePM2.5 [95%]	ISO ePM2.5 [90%]	ISO ePM2.5 [85%]
Efficiency measured on PM10	%	Eff. M. PM10 > 95%	92% < Eff. M. PM10 < 95%	89% < Eff. M. PM10 < 92%
<b>ISO ePM10</b>	%	ISO ePM10 [95%]	ISO ePM10 [90%]	ISO ePM10 [85%]

Filtration efficiencies **ISO ePM1-2.5-10** certified according to UNI EN ISO 16890:2016

## SkySafe Cassette technical data

Model	Measuring unit	SkySafe		
		1	2	3
<b>Speed</b>				
Air flow rate	m <sup>3</sup> /h	245	400	575
Sound power (Lw)	dB(A)	35	47	55
Sound pressure (Lp) <sup>(1)</sup>	dB(A)	26	38	46
Total absorbed power	W	37	53	70
Total absorbed current	A	0.17	0.24	0.32

<sup>(1)</sup> Sound pressure levels are lower than power levels by 9 dB(A) for a room of 100 m<sup>3</sup> and a reverberation time of 0.5 sec.

## Operating limits

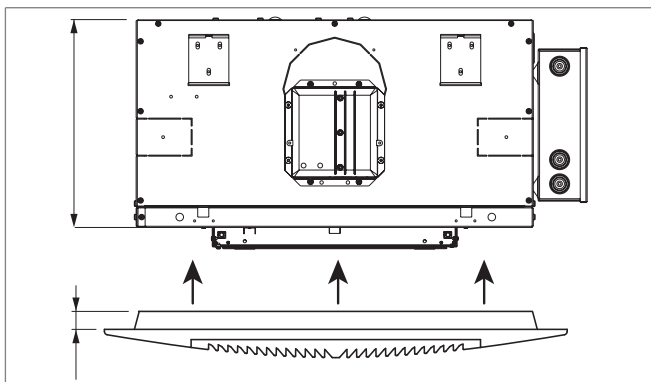
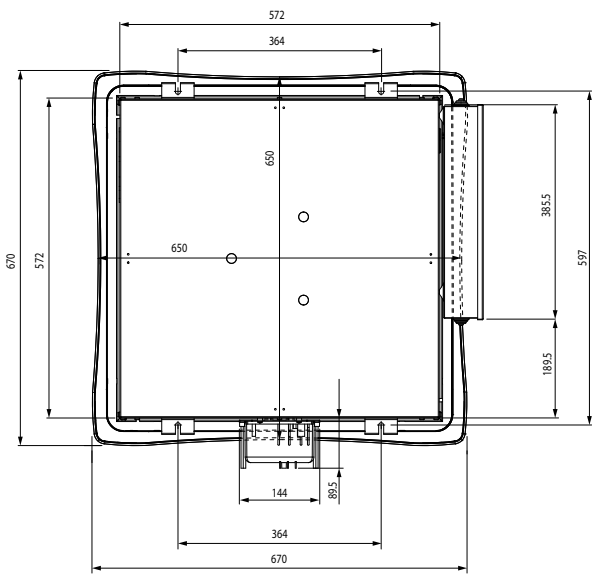
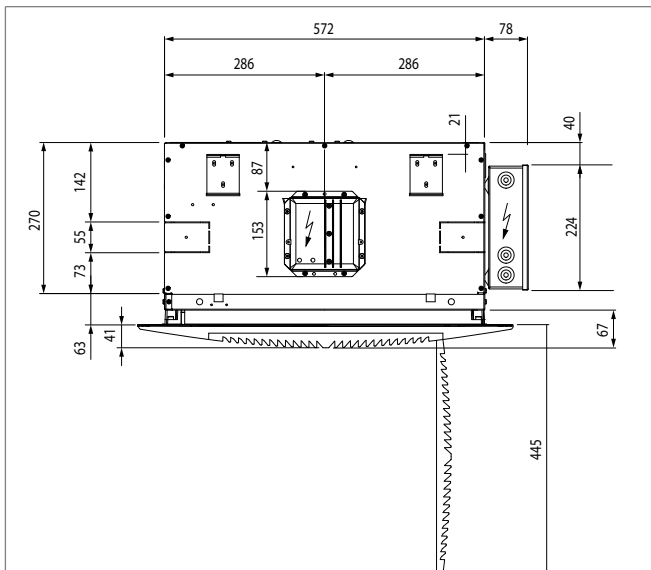
Description		Measuring unit	Value
<b>Ambient air</b>	Max. temperature	°C	+40
<b>Power supply</b>	Rated single-phase voltage	V/Hz	230/50
<b>Installation</b>	Maximum height	m	3.5

For a quick assessment of the number of appliances to be installed, considering 6 volumes/hour, for a room of 60 m<sup>3</sup> (5 x 4 x 3 m) one appliance operating at medium speed is sufficient; for a room of about 300 m<sup>3</sup> (12 x 8 x 3 m) 4 appliances, always at medium speed, are required.

For more information and a list of available accessories, please refer to the Sabiana SkySafe Cassette Air Purifier technical catalogue.

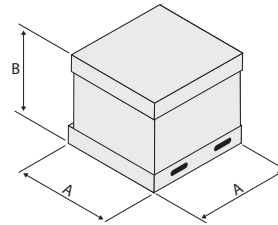
# Dimensions and weights

## SkySafe Dimensions



## Packed unit

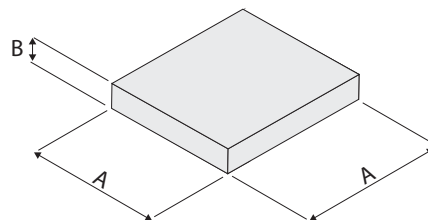
### Appliance



**A** = 790 mm  
**B** = 410 mm

Model		SkySafe
Weight with packaging	kg	30.0
Weight without packaging	kg	24.0

### Ceiling light



**A** = 750 mm  
**B** = 150 mm

Model		SkySafe
Weight with packaging	kg	6.0
Weight without packaging	kg	3.0

Follow us on



Sabiana app



**SABIANA SpA**

Via Piave 53 - 20011 Corbetta (MI) Italy

T. +39 02 97203 1 a.s.

F. +39 02 9777282

info@sabiana.it

<https://www.sabiana.it/en>

A company of Arbonia Group

**ARBONIA**

